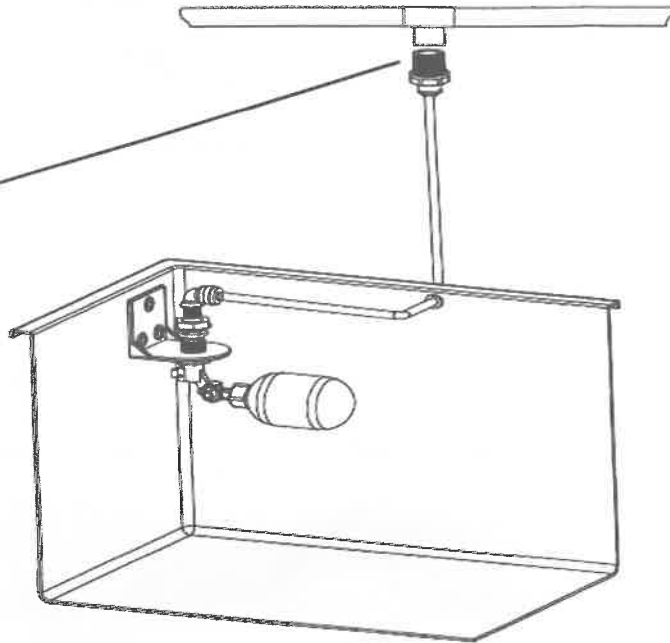
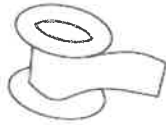


AUTO REFILL KIT

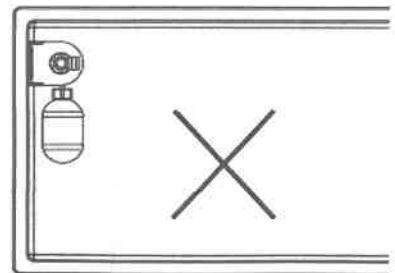
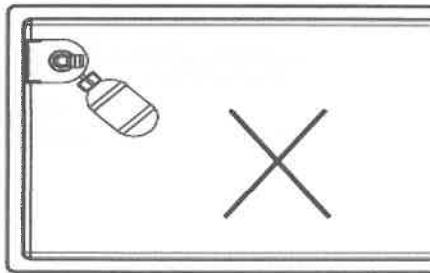
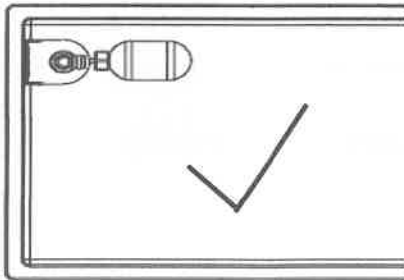
USE AND CARE MANUAL

Use and Care

Seal tape will be provided
by yourself

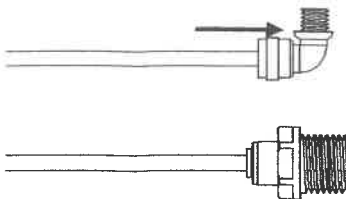


Important



Attention

The water pipe must be inserted into the joint part
about 15mm or more.



How to take away the water pipe

Press the connector where the bellowing arrow
showing, then the water pipe can be pulled away
from the joint parts.

